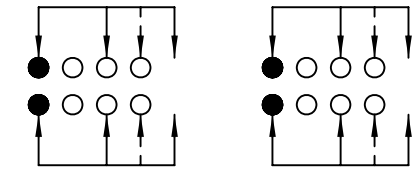
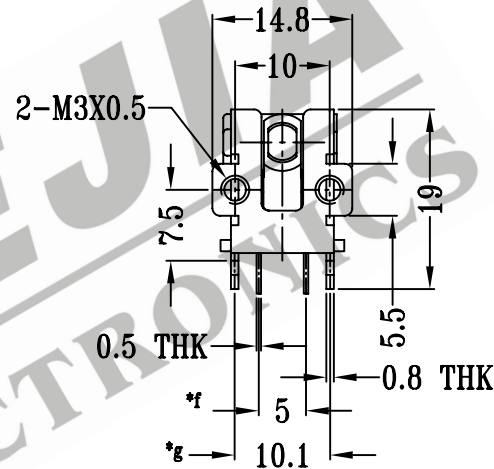
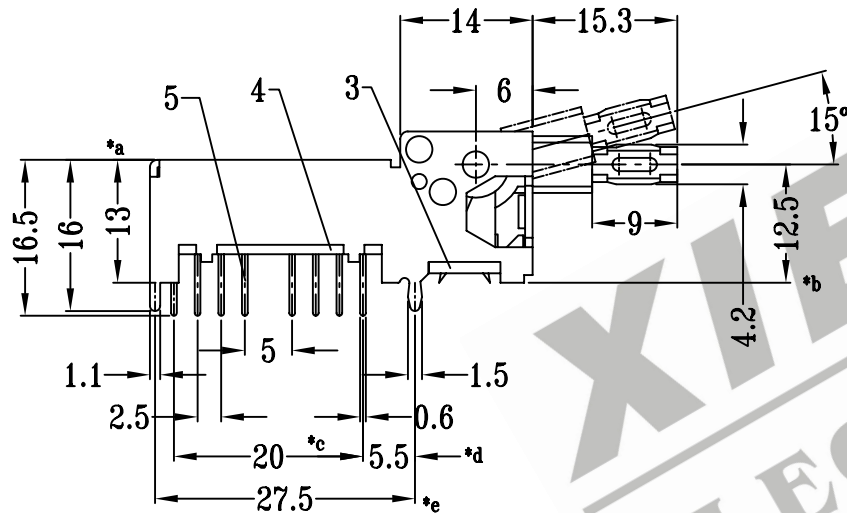
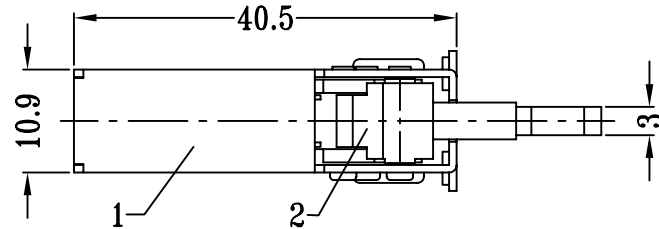
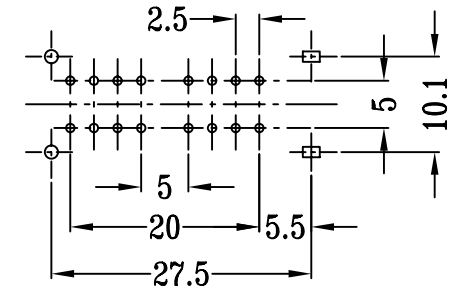


CAD FILE:



SCHEMATIC (NON-SHORTING)



P.C.B LAYOUT

10	CONTACT	PBS	4	Ag CLAD
9	SLIDER	POM	1	BLACK
8	SPRING	STEEL WIRE	1	TEMPER
7	RIVET	COPPER	3	Ni PLATED
6	STEEL BALL	STEEL	1	NATURAL
5	TERMINAL	BRASS STRIP	16	Ag PLATED OVER Ni PLATED
4	TERMINAL BASE	PHENOLIC RESIN	1	NATURAL
3	POSITION PLATE	POM	1	BLACK
2	KNOB	POM	1	BLACK
1	FRAME	STEEL STRIP	1	Ni PLATED
NO.	PART NAME	MATERIAL	Q'TY	FINISHING

注：“*”表示关键尺寸（7个）

TOLERANCE UNLESS SPECIFIED		SHENZHEN XIEJIA ELECTRONICS CO.,LTD.		
WITHIN: 1.5±0.1mm		ISSUE	DATE	DESCRIPTIONS
OVER : 1.5±0.2mm				APPD.
TITLE : TOGGLE SWITCH		UNIT : MM	DRWG NO : XJ-DR-NS42E02-00	
MODEL: NS-42E02		SCALE: 5:4	DWN. ZHOUYU	2000-5-13
ALL MATERIALS MUST BE COMPLIANT TO ROHS		APPD. KANGXINAN	CHK'D FANGYING	2000-5-13
				2000-5-13